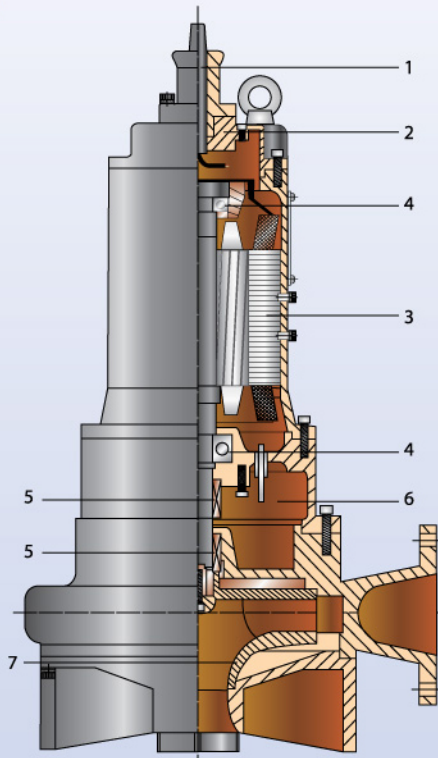




SUBMERSIBLE SEWAGE PUMP

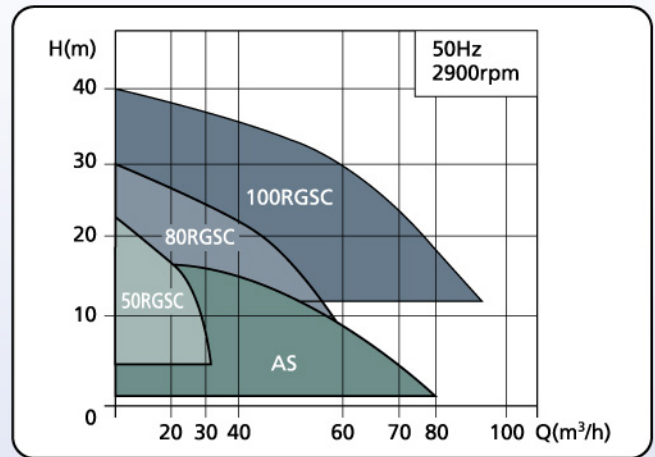
Regaline RGSC and AS series submersible pumps are constructed of cast iron for rugged use in sewage and wastewater applications. They are designed with non-clog semi-open or open impeller with large free solid passage. Models with hardened steel cutter or grinder are also suitable for sewage and wastewater containing solids and fibrous materials.

PUMP



1. Water-tight cable joint are fitted with cable sleeve and strain relief. Standard cable length is 8m.
2. Built-in terminal box with an integrated circuit for connection to float switch, thermal overload protection, humidity sensor for seal leakage, etc.
3. IP68, class F, 380-440V three phase 50Hz motor with thermal sensors embedded in stator windings.
4. Quality bearings to ensure long term operation.
5. Strong, abrasion-resistant double mechanical seals with super hard faces silicon carbide combinations. Smaller pumps are supplied with mechanical seal or lip seal.
6. Oil chamber filled with oil for lubrication and cooling. Optional humidity sensor can be installed to detect seal leakage.
7. Open or semi-open impeller with a hardened cutting edge enables cutting of fibrous materials, weeds, solids to prevent clogging.

SELECTION CHART



OPERATING CONDITIONS

- Capacity : Up to 100m³/h
- Head : Up to 40m
- Medium : Wastewater, sewage and industrial waste
- Pumped fluid temperature : 0-40°C
- Pumped fluid pH : 5-9
- Maximum immersion : 10m
- Discharge diameter : 32-100mm
- Solid content size : <10% (by weight)

MATERIAL OF CONSTRUCTION

- Casing : Cast iron
- Impeller : Cast iron or stainless steel
- Rotor shaft : Stainless steel
- Fasteners : Stainless steel
- Mechanical seal : Silicon carbide or tungsten carbide

APPLICATIONS

- Drainage of sewage from industry, factories, septic tanks and stock farms
- Drainage of wastewater from basement, hotels, underground garages
- Pumping of sewage and effluent from schools, hospitals, municipals, restaurants and construction sites
- Flood control

For enquiries, please contact :